

Honeywell

FED. MFG. CODE 91 929

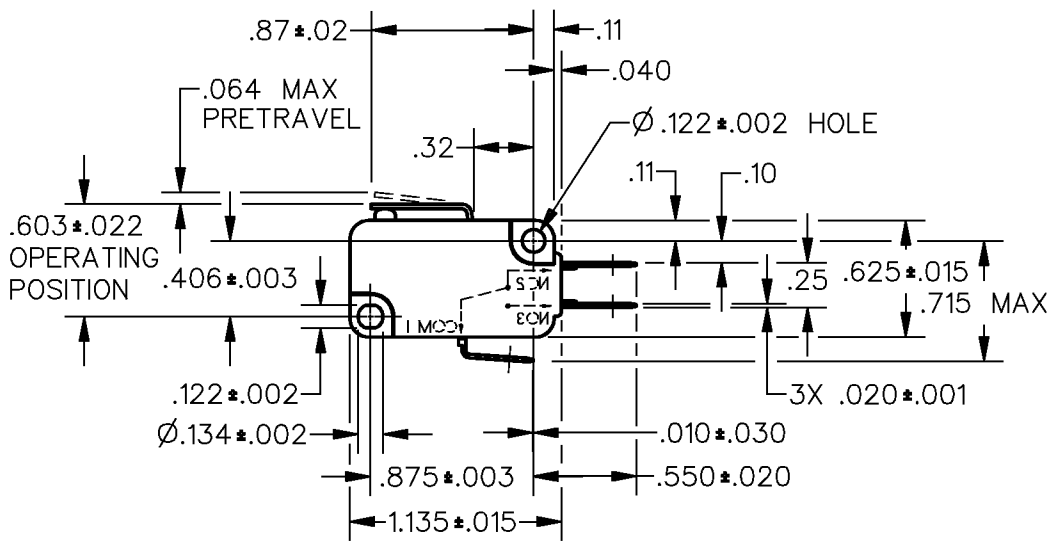
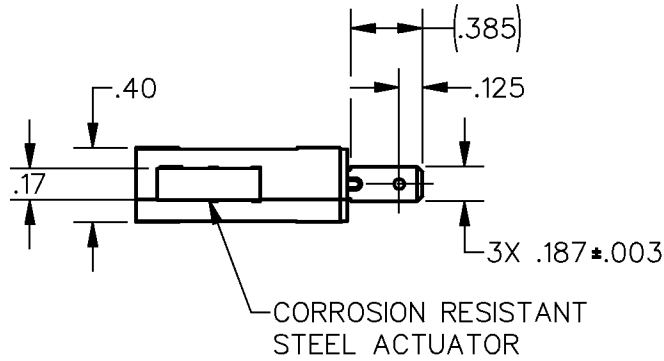
SWITCH - BASIC

CATALOG LISTING

V7-6C18D8-002

CW-C6031

CATALOG LISTING
M
 V7-6C18D8-002
 PAGE 1 OF 1
 ISSUE 3
 RELEASE NO. PR-23334
 REPLACES



REVISIONS

A	REL PR23334	01JUL08
3	DCS FEB 98	
B	0041196	01JUL08
	JA	

CHECK 01JUL08
 CHECK 3 FEB 98
 CHECK DCS

ASD

CHECK

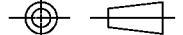
3 FEB 98

DCS

ANSI Y14.5M-1982 APPLIES

THIS DRAWING COVERS A PROPRIETARY ITEM AND IS THE PROPERTY OF HONEYWELL. THIS DRAWING IS NOT TO BE COPIED OR USED WITHOUT THE APPROVAL OF HONEYWELL.

THIRD ANGLE PROJECTION



CHARACTERISTICS

OPERATING FORCE --- 413 GRAMS MAX
 DIFFERENTIAL TRAVEL --- .014 MAX
 OVERTRAVEL --- .037 MIN
 RELEASE TRAVEL --- .009 MIN

ELECTRICAL DATA

CONTACT ARRANGEMENT
 S P D T
 L215
 15.1A 1/2HP 125, 250 OR 277 VAC
 1/2A 125 VDC
 1/4A 250 VDC; 5A 125 VAC "L"

SCALE FULL

DO NOT SCALE PRINT

UNLESS OTHERWISE SPECIFIED TOLERANCES ARE		
ONE PLACE (.0)	± .030	
TWO PLACE (.00)	± .015	
THREE PLACE (.000)	± .005	
ANGLES	±	



WEIGHT

RASTER

DRAWN

2 FEB 98

DCS